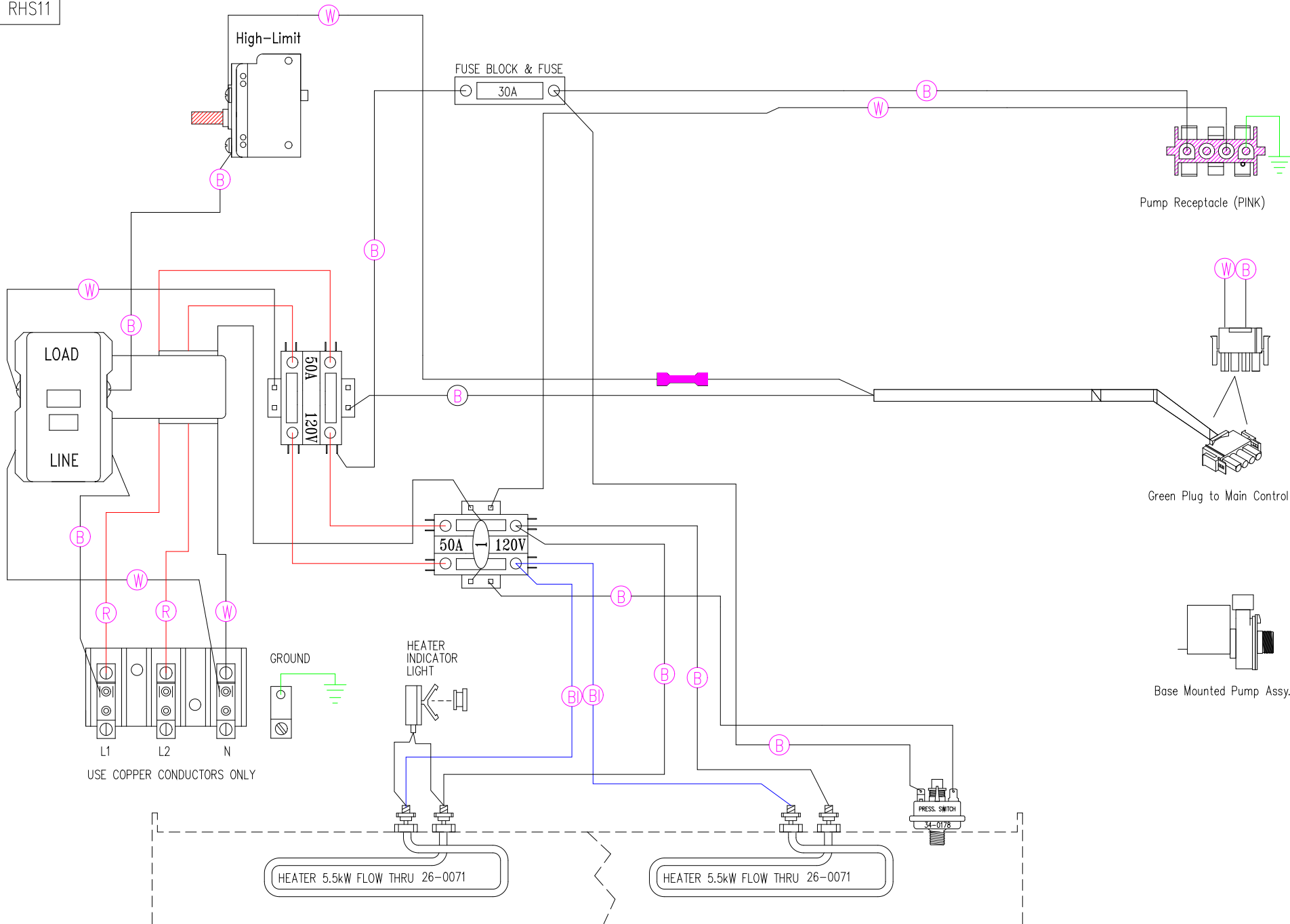
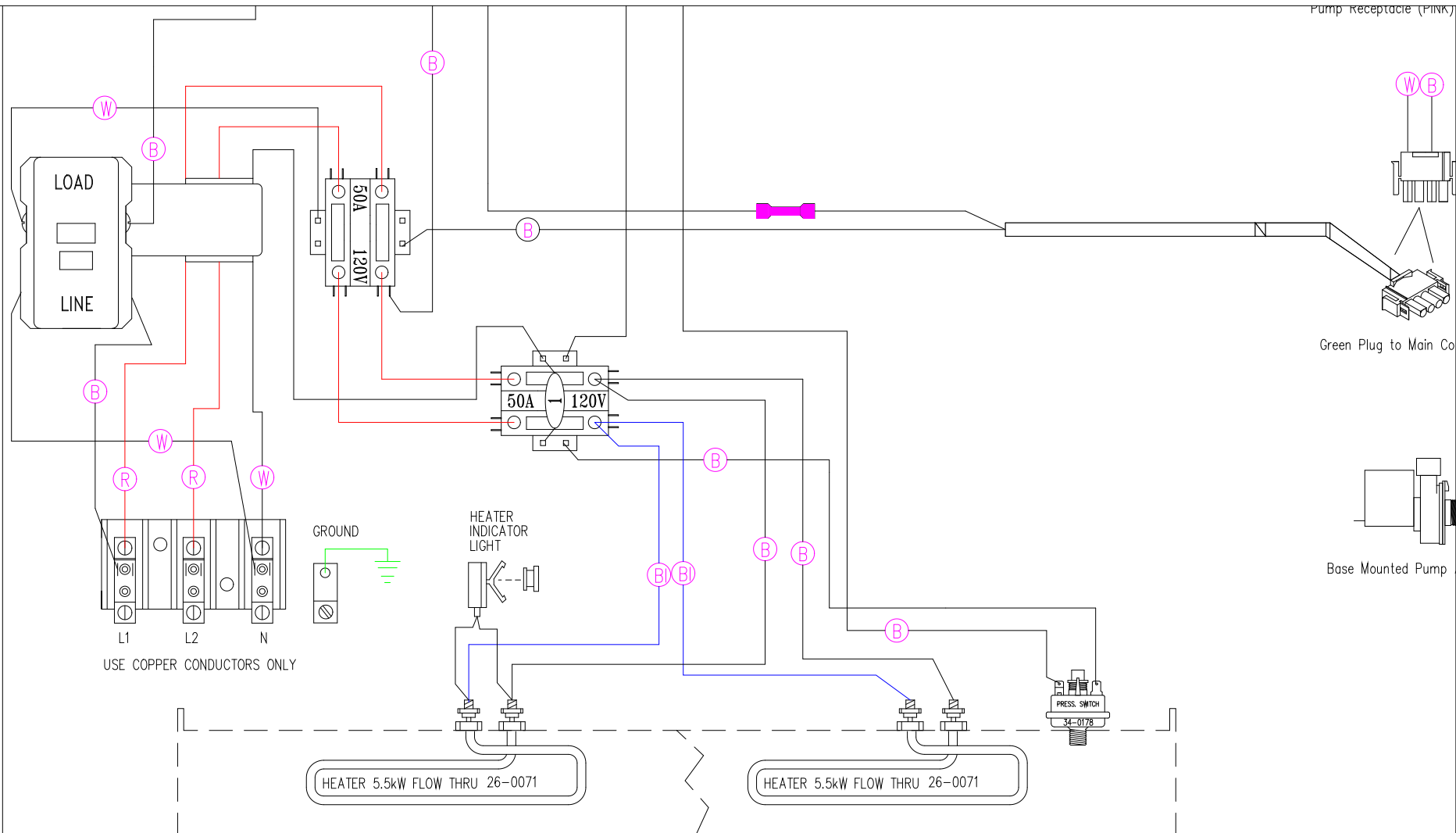


RHS11



Manufacture Notes:

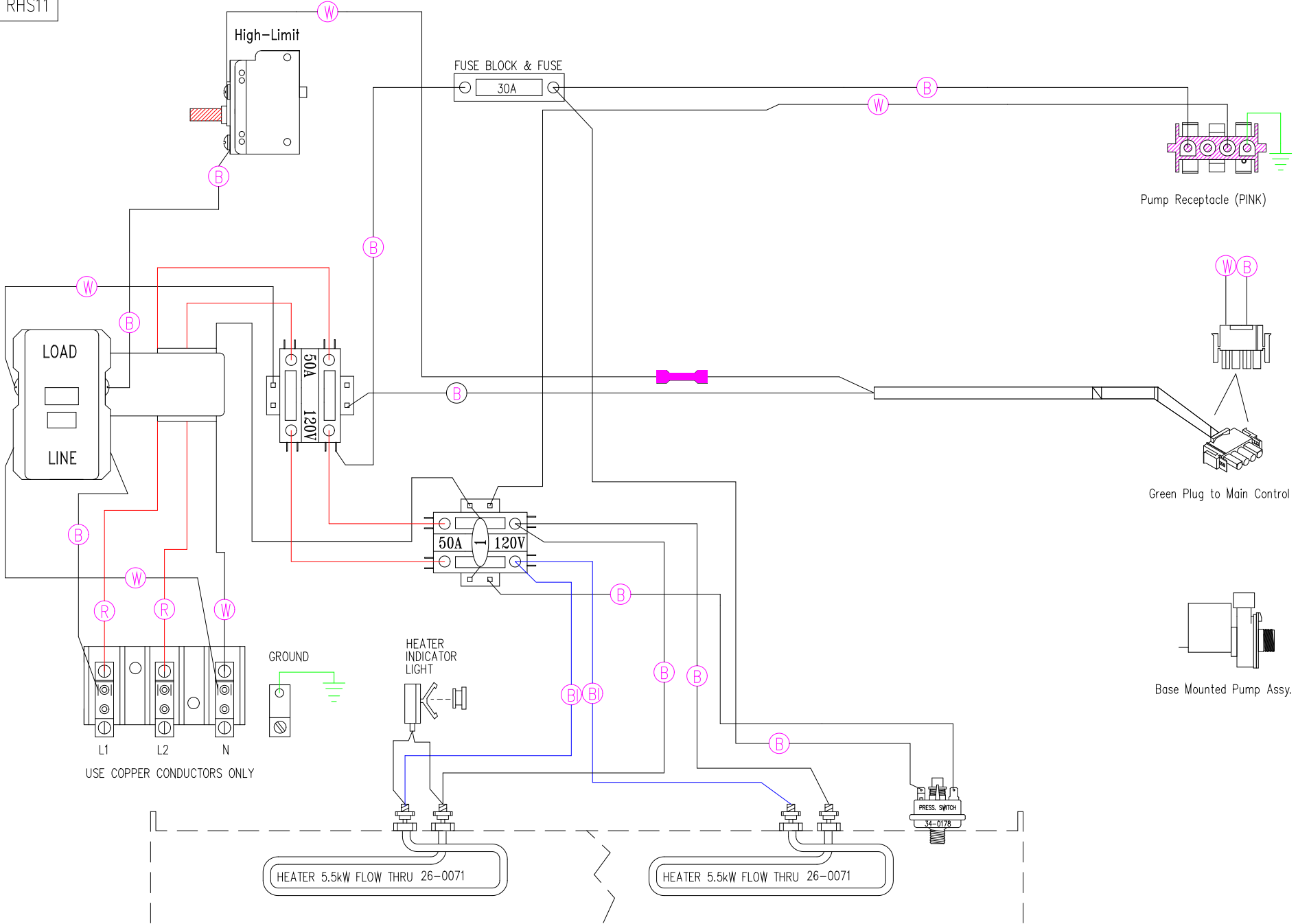
Drawn	MBS	Rev	2	Wire Color Code	
Date	05.21.08		B - Black		G - Green
Diagram No.	2802		Br - Brown		Bl - Blue
			R - Red		V - Violet
			O - Orange		W - White
				Y - Yellow	Gr - Gray



Manufacture Notes:

Drawn	MBS	Rev	2	Wire Color Co
Date	05.21.08			B - Black
Diagram No.	2802			Br - Brown
				R - Red
				O - Orange
				Y - Yellow
				G - Green
				Bl - Blue
				V - Violet
				W - White
				Gr - Grey

RHS11



USE COPPER CONDUCTORS ONLY

Manufacture Notes:

Drawn	MBS	Rev	2	Wire Color Code	
Date	05.21.08			B - Black	G - Green
Diagram No.	2802			Br - Brown	Bl - Blue
				R - Red	V - Violet
				O - Orange	W - White
				Y - Yellow	Gr - Gray